

CASAMBI ACCESSORIES

External accessories with simple electric cables make it possible to control Duralamp Light Lines in wireless mode.



CONTROL MODULE IP20

A wireless control module with a DALI interface. It generates a local DALI bus which makes it possible to connect a LED driver directly to a DALI interface. The module can only be used in a closed system and cannot be connected to an existing DALI network. The module is wireless controlled using a CASAMBI app for smartphones and tablets using Bluetooth 4.0 technology. The devices create an adaptive, secure and reliable wireless mesh network that can control a large number of fixtures in a simple and efficient way. IP20.

| art. | WATT | Max current (A) | Volt IN | Connection | IP | L1 | L2 | L3 |  |
|---------------|------|-----------------|------------|------------|----|----|----|----|---|
| 1T5349 | 1,1W | 0,6 | 220-240Vac | Screw | 20 | 37 | 41 | 14 | 1 |



GATEWAY DALI/CASAMBI

Gateway DALI/Casambi: a fixture that allows fixtures equipped with mesh Bluetooth Casambi to interface with a traditional DALI system and to be adjusted by a DALI control unit. Inside the usual DALI circuit it is possible to have a maximum of 64 cabled DALI and Casambi wireless devices. It only works with Casambi Evolution networks. The DALI Bridge is transparent in the DALI system, and therefore does not require an address. There is no need for a power supply given that it is supplied directly by the DALI bus.

| art. | Max current | Max peak | Volt IN | Connection | IP | L1 | L2 | L3 |  |
|-----------------|-------------|----------|---------------|------------|----|------|------|----|---|
| 1T8173CA | 250mA | 30mA | 9.5V - 22.5V* | Screw | 20 | 40.4 | 36.3 | 14 | 1 |

Power supply from DALI Bus. DALI Bus max current: 250mA



CASAMBI WALL SWITCH XPRESS

Xpress is a wall mounted wireless user interface; it can be installed wherever the user chooses thanks to battery power with autonomy of 2-3 years providing direct access to all the most important CASAMBI system control functions. As well as switching the fixtures on and off, Xpress controls dimming, colour temperature change in fixtures equipped with this technology, and control of individual fixtures and lighting scene or sequence management.

| art. |  |
|---------------|---|
| 1T5350 | 1 |



CONTROL MODULE PWM IP20 4CH (RGBW)

Wireless Bluetooth Dimmer capable of handling constant voltage loads of 12V or 24V subdivided into 4 channels with PWM output. This dimmer must be connected between the 12V or 24V power supply and the constant voltage LED module. The maximum total current that can be supplied by the control unit is 6A (equivalent to a total of 144W) that can be divided between the 4 outputs.

| art. | Max current (A) | Volt OUT | Volt IN | Connection | IP | L1 | L2 | L3 | |
|---------------|-----------------|----------------------|----------------------|------------|----|------|----|----|---|
| 117944 | 6 | 12-24V _{DC} | 12-24V _{DC} | Screw | 20 | 72,6 | 18 | 30 | 1 |

NOTE: total of 6A on 4 channels. Max 72W (12V) 144W (24V)



TRAILING EDGE DIMMER IP20

A Wireless Trailing Edge / IGBT dimmer managed using Bluetooth 4.0 technology. It works with LED 230 V-AC modules, dimmable LED sources and halogen lamps. It can be installed inside a standard 503 wall switch box, lighting fixtures or ceiling canopies. It can manage systems with a maximum absorption of 150W. The module is wireless controlled using a CASAMBI app for smartphones and tablets or traditional wall switches. IP20.

| art. | WATT | Max current (A) | Volt IN | Connection | PF | L1 | L2 | L3 | |
|---------------|------|-----------------------|-----------------------|------------|------|----|----|----|---|
| 115351 | 150W | 85-240V _{DC} | 85-240V _{DC} | Screw | 0,35 | 37 | 41 | 14 | 1 |



EXTENDER IP20

Extender IP20 allows for wireless control with a DALI interface. It generates a local DALI bus with the capacity to drive up to 64 fixtures and can control groups of fixtures in indoor applications. It is also equipped with a relay that can control non-dimmable fixtures up to a maximum of 6A. It prevents any change to the management features provided by the CASAMBI system.

| art. | WATT | Max current (A) | Volt IN | Connection | PF | L1 | L2 | L3 | |
|---------------|------|------------------|------------------------|------------|-----|-----|----|----|---|
| 115352 | 2,7W | 6 ⁽¹⁾ | 100-240V _{DC} | Screw | 0,6 | 100 | 42 | 30 | 1 |

Max n. DALI driver: 64. Max n. 1-10V driver: 30

⁽¹⁾ Due to the relay disconnecting and attaching the load.

CASAMBI ACCESSORIES



CONTROL MODULE IP67

A IP67 Module for individual control of external devices equipped with DALI drivers. The module needs to be positioned in order to receive radio signals. The distance to the lighting fixtures can reach up to 50 m.

| art. | WATT | Max current (A) | Volt IN | Connection | PF | L1 | L2 | L3 |  |
|---------------|------|--------------------|------------------------|------------|-----|------|------|------|---|
| 1E3048 | 1,1W | 0,6 ⁽¹⁾ | 220-240V _{ac} | Screw | 0,6 | 56,5 | 22,3 | 35,8 | 1 |

Max n. DALI driver: 1. Max n. 1-10v driver: 1

⁽¹⁾ Due to the relay disconnecting and attaching the load.



EXTENDER IP67

A IP67 Extender allows for wireless control with DALI interfaces.

It generates a local DALI bus with the capacity to drive up to 64 fixtures and can control groups of fixtures in outdoor applications. It prevents any change to the management features provided by the CASAMBI system.

| art. | WATT | Max current (A) | Volt IN | Connection | PF | L1 | L2 | L3 |  |
|---------------|------|------------------|------------------------|------------|-----|-----|-----|----|---|
| 1E3049 | 2,7W | 6 ⁽¹⁾ | 220-240V _{ac} | Screw | 0,6 | 150 | 150 | 40 | 1 |

Max n. DALI driver: 64. Max n. 1-10V driver: 30

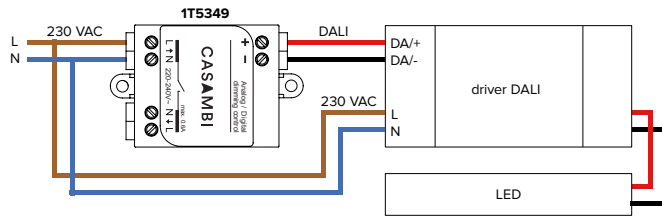
⁽¹⁾ Due to the relay disconnecting and attaching the load.

CASAMBI WIRING DIAGRAMS

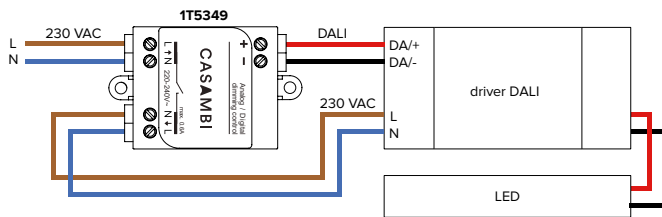


SINGLE DALI CONTROL IP20

1T5349

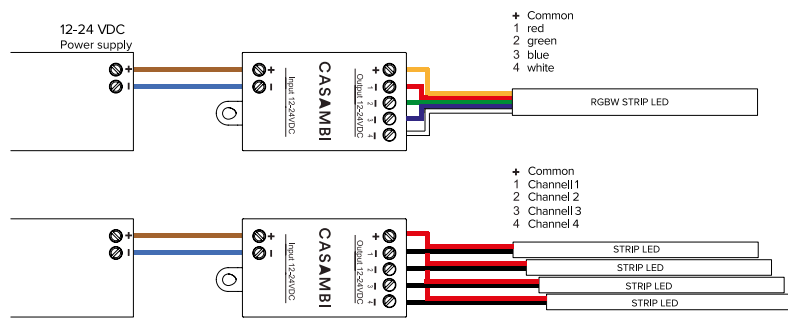


WITH RELAY MAX LOAD 100W

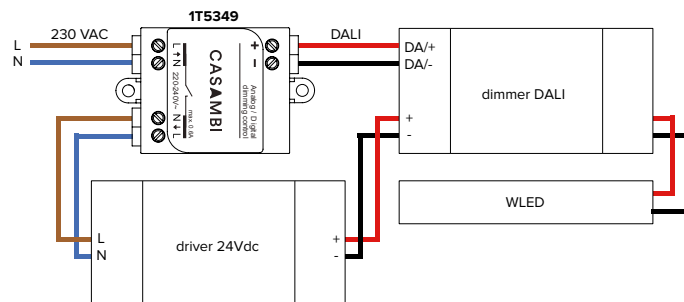


CONTROL CASAMBI, 1-4 CANALI (IP20)

1T5349

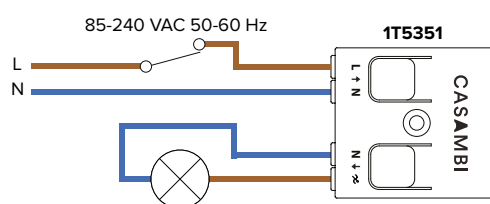


WITH RELAY MAX LOAD 100W



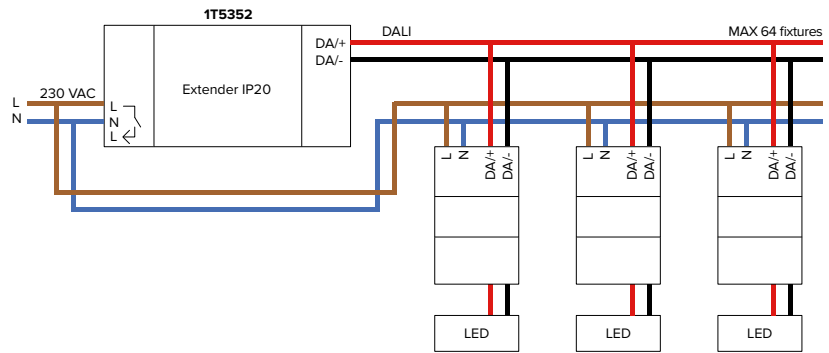
SINGLE TRAILING EDGE CONTROL FOR LED 230 V-AC MODULES, DIMMABLE LED SOURCES AND HALOGEN LAMPS - 12V AND MAINS VOLTAGE (IP20)

1T5351



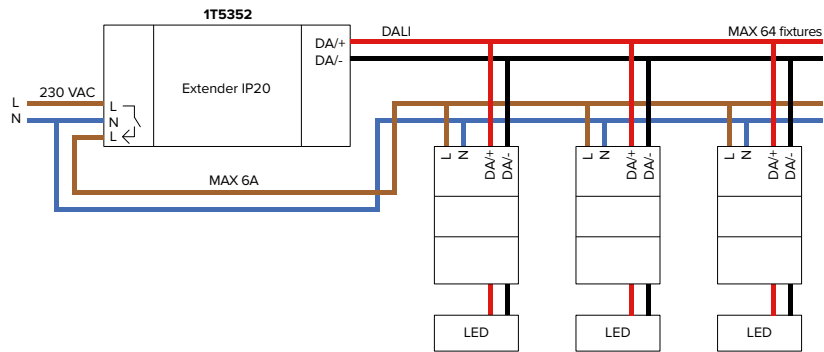
CASAMBI WIRING DIAGRAMS

DALI MULTIPLE CONTROL IP20



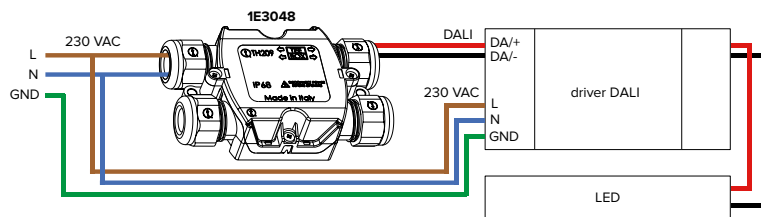
1T5352

DALI MULTIPLE CONTROL with relay IP20



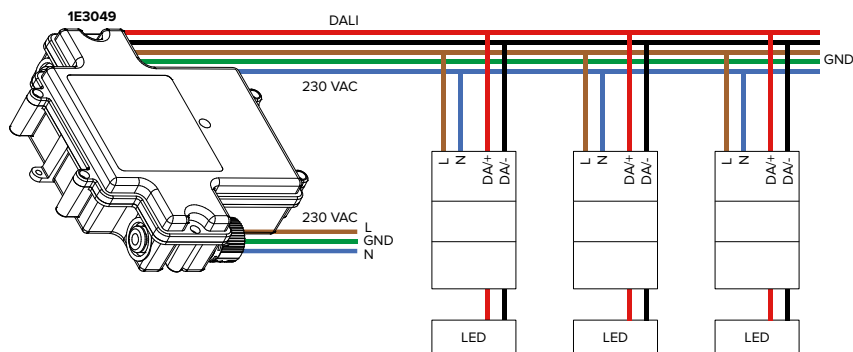
1T5352

DALI SINGLE CONTROL IP67



1E3048

DALI MULTIPLE CONTROL IP67



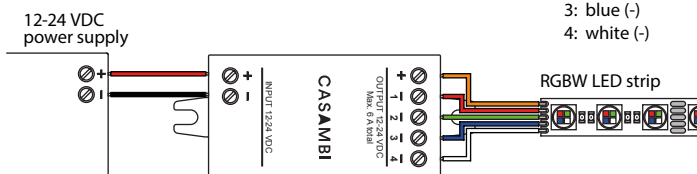
1E3049



CONTROL MODULE
PWM IP20 4CH (RGBW)

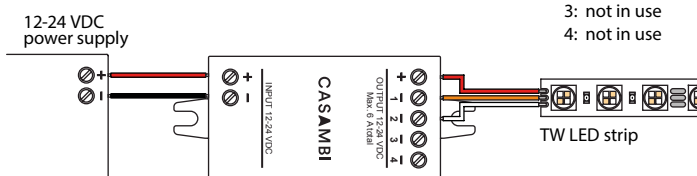
1T7944

Wiring diagram, RGBW



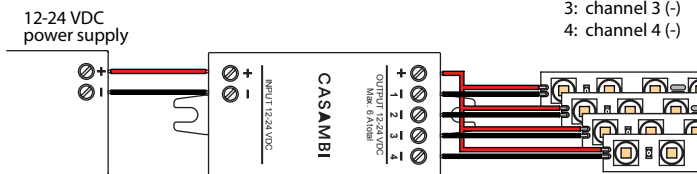
- +: common (+)
- 1: red (-)
- 2: green (-)
- 3: blue (-)
- 4: white (-)

Wiring diagram, tunable white



- +: common (+)
- 1: warm (-)
- 2: cool (-)
- 3: not in use
- 4: not in use

Wiring diagram, 1-4 separate channels



- +: common (+)
- 1: channel 1 (-)
- 2: channel 2 (-)
- 3: channel 3 (-)
- 4: channel 4 (-)

GATEWAY DALI/CASAMBI

1T8173CA

9,5V - 22,5V DALI BUS

9,5V - 22,5V DALI BUS

